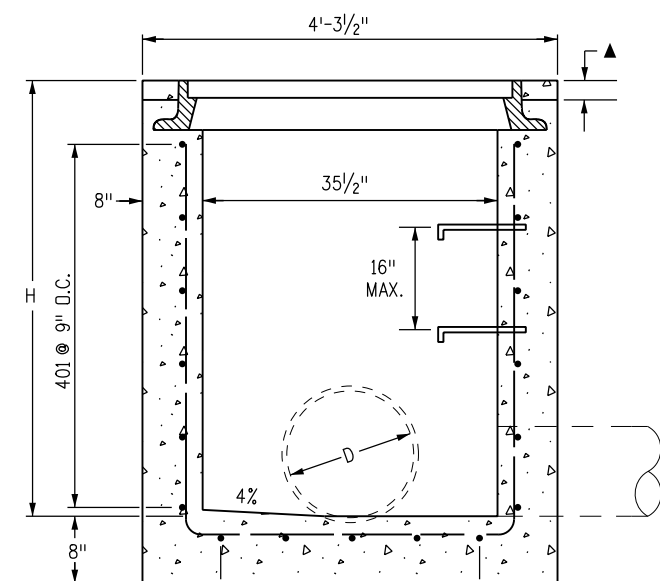
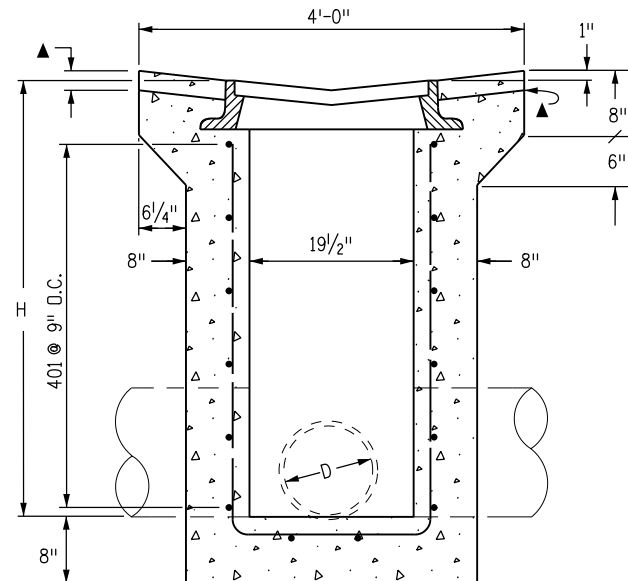


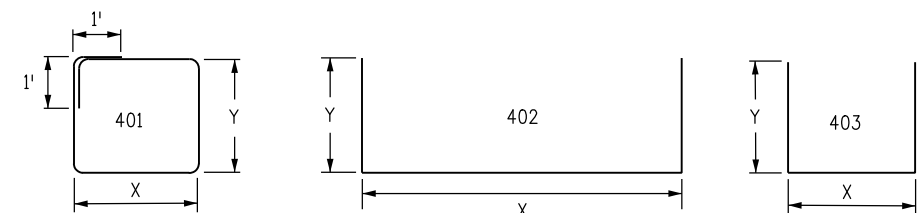
PLAN VIEW
TYPE 13 INLET FOR GUTTER TYPE 2



SECTION A-A
D MAX = 30 IN. FOR H > 4 FT.

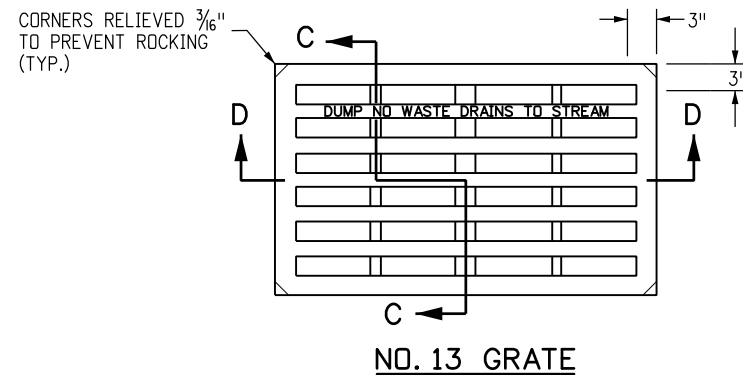


SECTION B-B
D MAX = 18 IN. FOR ALL H

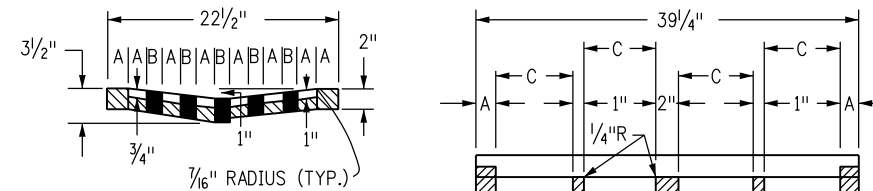


BENDING DIAGRAMS

ALL DIMENSIONS ARE OUT-TO-OUT OF BAR.



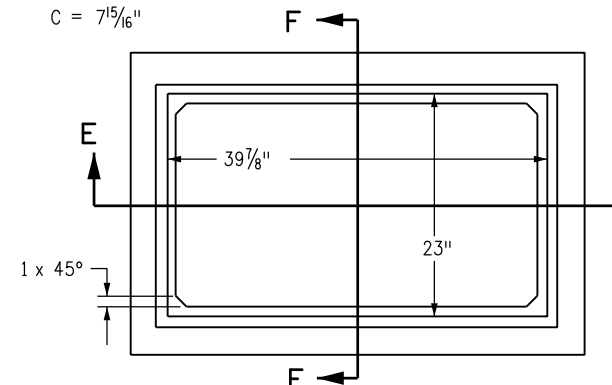
NO. 13 GRATE



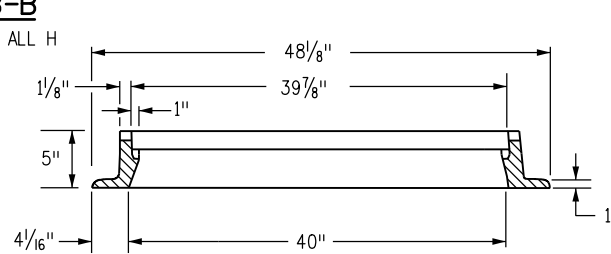
SECTION C-C

SECTION D-D

A = 1 3/4"
B = 1 1/16"
C = 7 15/16"

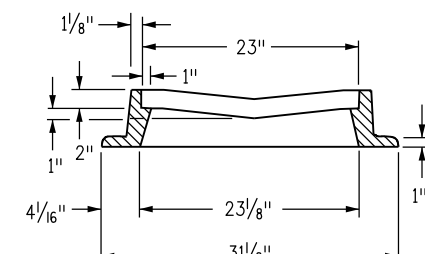


NO. 13 GRATING & FRAMES



SECTION E-E

APPROXIMATE WEIGHT = 590 LBS.



SECTION F-F

GENERAL NOTES

1. CONCRETE SHALL BE CLASS B. INLET MAY BE CAST-IN-PLACE OR PRECAST.
2. CAST-IN-PLACE CONCRETE WALLS SHALL BE FORMED ON BOTH SIDES.
3. EXPOSED CONCRETE CORNERS SHALL BE CHAMFERED 3/4 IN.
4. REINFORCING BARS SHALL BE DEFORMED #4 AND SHALL HAVE A 2 IN. MINIMUM CLEARANCE. ALL REINFORCING BARS SHALL BE EPOXY COATED.
5. STEPS SHALL BE PROVIDED WHEN INLET DIMENSION "H" IS EQUAL TO OR GREATER THAN 3 FT.-6 IN. AND SHALL CONFORM TO AASHTO M 199.
6. ALL GRATES AND FRAMES SHALL BE GRAY OR DUCTILE CAST IRON IN ACCORDANCE WITH SUBSECTION 712.06. GRATES AND FRAMES SHALL BE DESIGNED TO WITHSTAND HS 20 LOADING.
7. STATION POINT IS AT THE CENTER OF THE INLET.
8. GRATE SHALL HAVE "DUMP NO WASTE DRAINS TO STREAM" MESSAGE CAST ON SURFACE.

H	CONCRETE	REINFORCING STEEL	NO. OF 401 BARS REQ'D.	MAXIMUM PIPE I.D.	
	CU. YDS.	Ø LB.		SEC. A-A	SEC. B-B
3'-0"	1.3	72	4	18	18
3'-6"	1.5	76	4	24	18
4'-0"	1.6	90	5	30	18
4'-6"	1.8	104	6	30	18
5'-0"	1.9	109	6	30	18
5'-6"	2.1	122	7	30	18
6'-0"	2.2	136	8	30	18
6'-6"	2.4	141	8	30	18
7'-0"	2.5	154	9	30	18
7'-6"	2.7	168	10	30	18
8'-0"	2.8	173	10	30	18
8'-6"	3.0	187	11	30	18
9'-0"	3.1	200	12	30	18
9'-6"	3.3	205	12	30	18
10'-0"	3.4	219	13	30	18

Ø INCLUDES 1% FOR OVERRUN.
NOTE: CONCRETE QUANTITIES INCLUDE VOLUME OCCUPIED BY PIPE.

QUANTITIES FOR ONE INLET

MARK	NO. REQ'D.	DIMENSIONS		LENGTH
		X	Y	
401	4	3'-6"	2'-2"	13'-4"
402	2	3'-4 1/2"	* 2'-6 1/2"	8'-5 1/2"
403	5	2'-1/2"	* 2'-7"	7'-2 1/2"

* ADD 6 IN. TO THIS DIMENSION FOR EACH 6 IN. INCREASE OF "H" OVER 3 FT.-0 IN.

BAR LIST FOR H = 3 FT.-0 IN.

Computer File Information

Creation Date: 07/04/12 Initials: DD
Last Modification Date: 07/04/12 Initials: LTA
Full Path: www.coloradodot.info/business/designsupport
Drawing File Name: 6040130101.dgn
CAD Ver.: MicroStation V8 Scale: Not to Scale Units: English

Sheet Revisions

Date:	Comments

Colorado Department of Transportation

4201 East Arkansas Avenue
Denver, Colorado 80222
Phone: (303) 757-9083
Fax: (303) 757-9820

Project Development Branch DD/LTA

CONCRETE INLET
TYPE 13

Issued By: Project Development Branch July 4, 2012

STANDARD PLAN NO.

M-604-13

Sheet No. 1 of 1